

BEYOND DIET AND DRUG THERAPY...

# LIPOSORBER®



73%

LIPOSORBER




FOR ACUTE LOWERING OF LDL-C

85%

The image features a central illustration of the LIPOSORBER device, a cylindrical medical component with a green band and three colored spheres (silver, orange, green). It is set against a background of overlapping geometric shapes in shades of orange, grey, and red. Large percentages, 73% and 85%, are displayed in the background, indicating the device's effectiveness. The text 'LIPOSORBER' is printed on the device's green band, and 'FOR ACUTE LOWERING OF LDL-C' is written to its right.

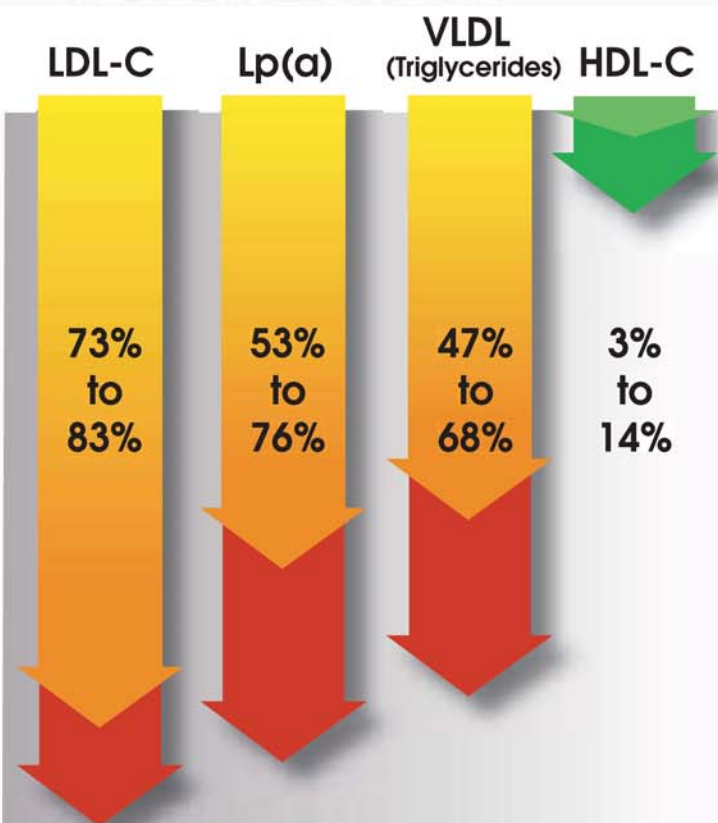
# THE LIPOSORBER LDL ADSORPTION COLUMN

*Dextran Sulfate - cellulose beads selectively bind ApoB-containing lipoproteins (LDL, Lp(a) and VLDL). No binding of HDL or other essential plasma components.*

-  Dextran Sulfate - cellulose bead
-  LDL  
Lp(a)  
VLDL
-  HDL



## LOWERS LIPIDS IN ONE TREATMENT



*LIPOSORBER treatment acutely lowers your patient's LDL-C, Lp(a) and triglycerides in one 2-3 hour treatment, with minimal effect on HDL-C or other essential plasma components.*

## PROVEN

- ◆ Acutely lowers LDL-C 73-83% after a single treatment
- ◆ Since 1987, over 250,000 treatments have been performed worldwide

## EFFECTIVE

- ◆ Removes ApoB-containing lipoproteins (LDL, Lp(a), VLDL)
- ◆ Returns HDL and other essential plasma components back to the patient

## SAFE

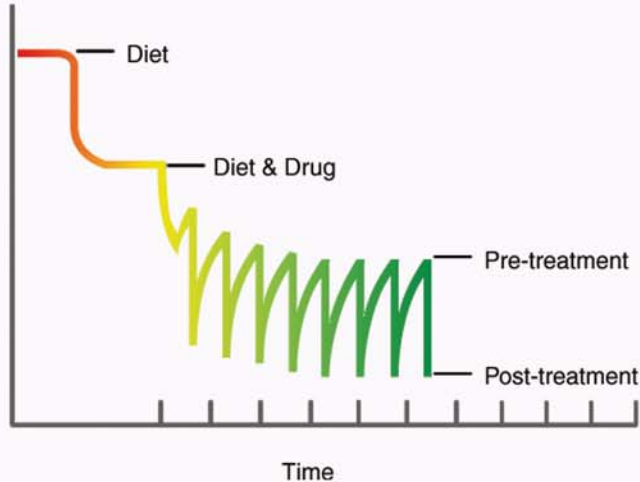
- ◆ Very well tolerated
- ◆ No replacement fluids
- ◆ No clinically significant changes in laboratory safety parameters with long-term use

## UNIQUE

- ◆ No other procedure has the flexibility to target a specific LDL-C treatment goal
- ◆ Approved for marketing by FDA

# LIPOSORBER TREATMENT

## EFFECT ON LDL-C



*LIPOSORBER treatment, as an adjunct to diet and maximum tolerated drug therapy, dramatically lowers LDL-C more effectively than diet and drug therapy alone.*

## INDICATIONS FOR USE

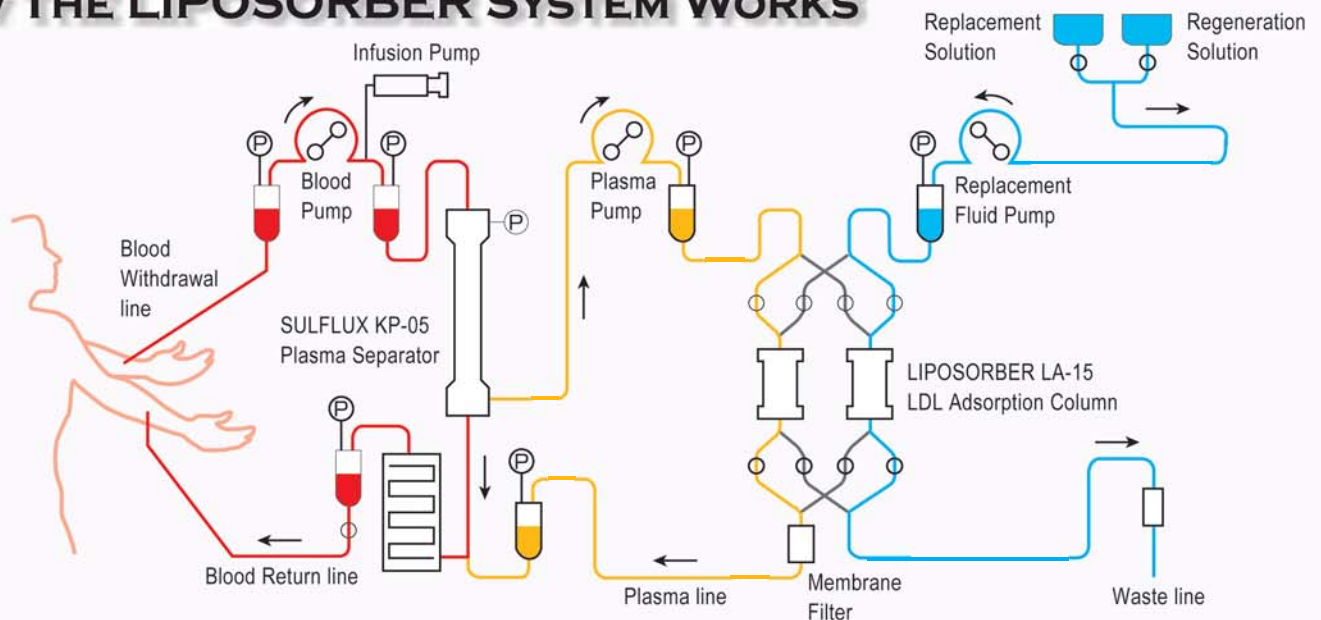
Within a small patient population, a select number of people are candidates for LIPOSORBER treatment. They have not responded adequately to at least six months of diet and maximum tolerated cholesterol-lowering drug therapy. They are patients with:

- ◆ LDL-C  $\geq$  200 mg/dL with documented coronary heart disease (CHD), or
- ◆ LDL-C  $\geq$  300 mg/dL

## TREATMENT FREQUENCY

Patient LDL-C Level	Regimen
200 - 299 mg/dL	Every 2 weeks
$\geq$ 300 mg/dL	Every week

## HOW THE LIPOSORBER SYSTEM WORKS



1. The patient's blood is withdrawn through a venous access and enters the plasma separator. As blood flows through the hollow fibers of the plasma separator, the plasma is separated and pumped into one of the two LDL adsorption columns. As the plasma passes through the column, the apolipoprotein B-containing lipoproteins - LDL, Lp(a) and VLDL - are selectively adsorbed by the dextran sulfate - cellulose beads within the column. There is minimal effect on other essential plasma components such as HDL-C and albumin.
2. The LDL-depleted plasma exits the column and is recombined with the blood cells exiting the separator, all of which is returned to the patient through a second venous access.
3. When the first column has completed adsorbing LDL, the computer-regulated machine automatically switches the plasma flow to the second column.
4. The plasma remaining in the first column is returned to the patient. The column is then regenerated, eluting the LDL, Lp(a) and VLDL to the waste lines. After elution, the column is reprimed completely and ready for the next cycle of adsorption, allowing for continuous LIPOSORBER treatment. A typical treatment takes about 2 to 3 hours.

# INSURANCE COMPANIES HAVE RECOGNIZED THE PROVEN VALUE OF LIPOSORBER TREATMENT

- ◆ LIPOSORBER treatment is considered the **"treatment of choice"** when all other methods have failed to help patients reach their targeted cholesterol goal

## CONTINUOUS-FLOW SYSTEM

- ◆ Eliminates the need for replacement fluid which prevents the possibility of associated complications

## HIGHLY EFFECTIVE

- ◆ Removes ApoB-containing lipoproteins (LDL, Lp(a), VLDL) with minimal effect on other essential plasma components such as HDL-C and albumin

## FLEXIBLE

- ◆ Provides you with the ability to target a specific cholesterol treatment goal

## COMPLETE

- ◆ The LIPOSORBER System includes a disposable tubing set, a plasma separator, two absorption columns, and the LDL-apheresis machine.



*For more information visit our website at:*  
[www.liposorber.com](http://www.liposorber.com)

# LIPOSORBER®

 KANEKA  
MEDICAL  
PRODUCTS